

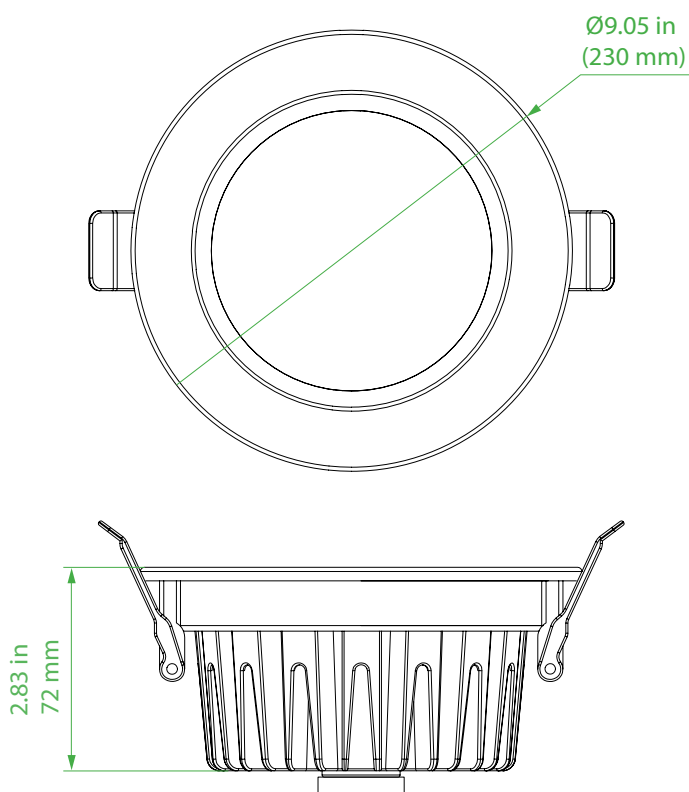
## RLDL Series

LED Downlight 30Watt 3.000Lumens

LED downlight with reflector available for various interior- and technical applications such as accommodation, passengers area, bridge, corridor etc. Standard supplied with dimmable driver.



### Dimensions



Cut out = 7.78 in (200 mm)

### Technical Information

<b>Material:</b>	Anodized aluminium housing and trim ring
<b>Finish:</b>	White Trim Ring (optional colours on request *1)
<b>Lens:</b>	140°
<b>IP Rating:</b>	IP44
<b>Light Source:</b>	30Watt 100Lumens per Watt Natural White 3900K (optional red- or blue lens on request *2) CRI > 85
<b>Power Source:</b>	100-305Vac 50~60Hz LiFud LF-GDE023YF0550U Dimmable driver (0-10Vdc – PWM – resistance) Overload, over-voltage, over-temperature and short circuit protection.
<b>Ambient Temperature:</b>	Operating temperature -30°C ~ +50°
<b>Mounting:</b>	Heavy spring clips for ceilings max. 1.37 in (35 mm)
<b>Fixture weight:</b>	2.42 lbs (1,1 kg)

### Compliances

In compliance with rules of maritime classification societies, additional VDE and IEC 60092-306.  
(Equipment luminaires and lighting accessories for use on vessels)